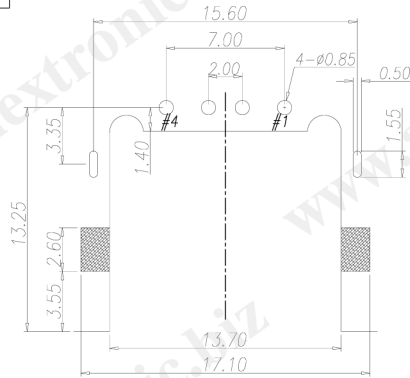
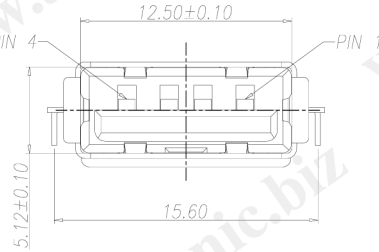


CATEGORY	DESCRIPTION	P/N #
CONNECTOR	usb A母反向沉板	UB1043-11F10-002J

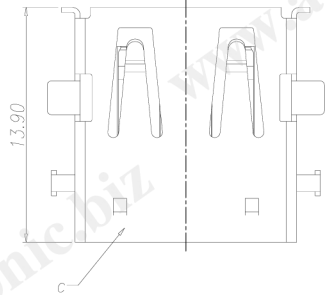
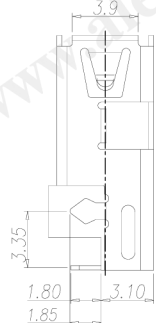
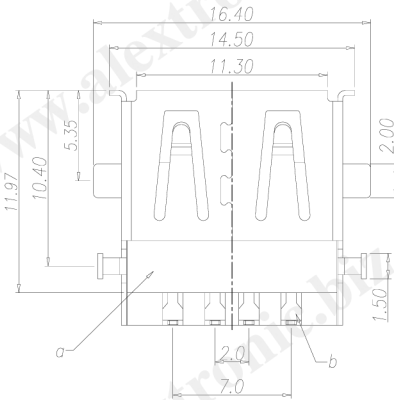
REV.	ECN NO	DESCRIPTION	REVISED	DATE
A01		NEW RELEASE	XSY	2009.10.30

Specifications:

1. Rated Current: 1.5A @ 250V AC
2. Contact resistance: 30mΩ MAX.
3. Insulation resistance: 1000MΩ MIN.
4. Dielectric withstand: 500V AC for 1 minute
5. Operating temperature: -55°C~+85°C
6. Insert force: 35N MAX.
7. Withdraw force: 10N MIN.



Recommend PCB Layout  
(Jack Top View)  
Tolerance: ±0.05mm  
Recommend PCB Thickness: 1.2mm



Product Drawing  
ALEXTRONIC

c	Shell	1	BRASS, T=0.30mm	Ni Plating	
b	Terminal	4	BRASS, T=0.25mm	Au Plating	
a	Housing	1	LCP UL94V-0	BLACK	
NO.	PART NAME	Q'TY	MATERIAL	PLATING & COLOR	Remark

UNLESS OTHERWISE SPECIFIED TOLERANCES	SCALE: 1/1	UNIT: mm	⊕ ⊖	DWG.NO:
	SIZE: A3	PAGE: 1 OF 1	REV: A01	WI-061-793
DECIMALS: X : ±0.5 X.X : ±0.3 X.XX : ±0.2	ANGLES: X : ±2° X.X : ±1°	APPROVED BY	CHECKED BY	PREPARED BY
		WYX	Pengjie	XSY
CUSTOMER COPY				